



LED HIGH EFFICIENCY AREA LIGHTS



FEATURES

- High Efficiency – Dramatically lowers power expenses
- Long-lasting – Up to 10 times longer than non-LED lighting
- Durable – No filaments to break
- Cool – Low heat generation lowers cooling expenses
- Mercury Free – Safer and environmentally friendly

LED Lites USA LED High Efficiency Area Lights are the most cost-effective method for switching from older power-intensive, high-maintenance lighting to state-of-the-art LEDs that dramatically lower power and maintenance costs. As a fixture, on-bill no interest loans and rebates for installing LED lighting are available. Options such as color temperature, intensity, illumination pattern are available. Contact your sales representative.

LED LITES USA www.ledlitesusa.com PHONE: +1-702-685-9524
3395 W. Cheyenne Ave. #111 N. Las Vegas, NV 89032 Email: sales@ledlitesusa.com



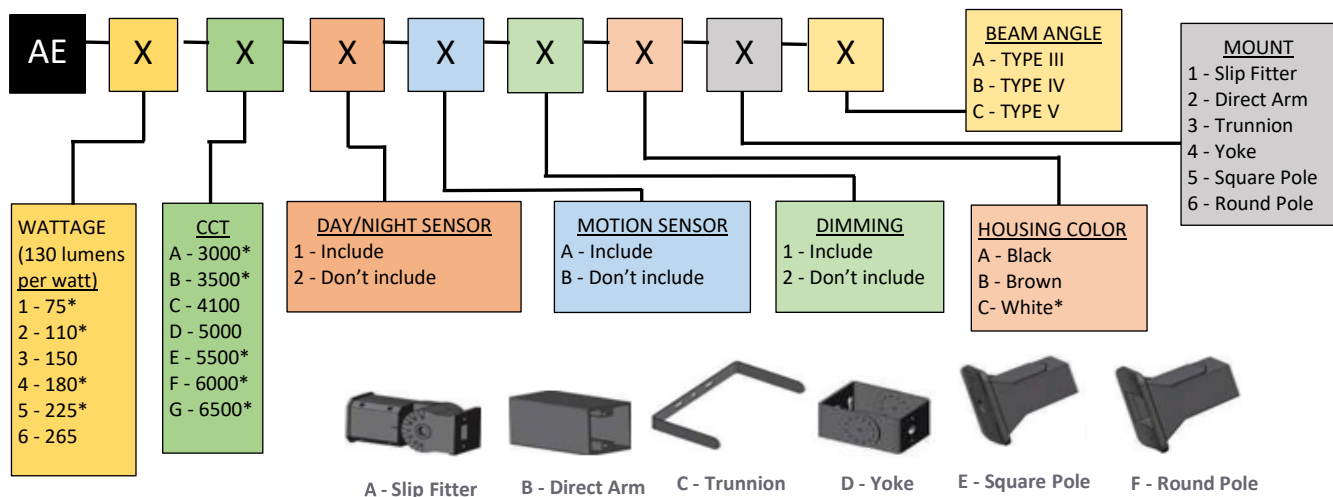
LED HIGH EFFICIENCY AREA LIGHTS



General Specifications	
Voltage	100-277VAC/24VDC
CCT	3,000K~6,500K
CRI	≥ 78Ra
Lumens per watt	130
Beam Angle	Type III, IV, V
PF	> 0.95
IP/IK	IP66 IK10
Operating Temperature	-22°F~140°F (-30°C~60°C)
Material	Anodized Aluminum + PC
Certificates	CE, RoHS, ETL, DLC 4.2 Premium
Life Span	> 50,000 Hours
Warranty	5 Years

Build Your Order

Select desired option from each category to construct appropriate order number. For instance: AE3C1A2B3B orders the LED High Efficiency Area Light (AE) with 150 Wattage, 4100 CCT, Day/Night Sensor included, Motion Sensor included, Dimming not included, Brown housing, Trunnion Mount and a Beam Angle Type IV. NOTE: an asterisk (*) indicates item not in stock; longer delivery time will be required.



We meet all LED Lighting needs. Call or email today for any questions.

PHONE: +1-702-685-9524 Email: sales@ledlitesusa.com