



# Product Specification

Customer: \_\_\_\_\_

Specifications: **P6 UL Series Panel Light**

Code: CPS-U4A20-P6、 CPS-U4A30-P6

CPS-U4A36-P6、 CPS-U3A36-P6

CPS-U5A35-P6、 CPS-U5A40-P6

CPS-U5A50-P6

Version: V1.0

Approved	Checked		Approved
	Structural engineer	Electronic engineer	
2017-08-23	2015-08-23		

## CONTENTS

I .	<b>Product Overview And Characteristics</b>	.....
II .	<b>Product Appearance And Size</b>	.....
III .	<b>Electrical Specification</b>	.....
IV .	<b>Photoelectric Parameter</b>	.....
	1.Optical parameters	.....
	2.Photometric data	.....
V .	<b>Product Technical Standard</b>	.....
	1.Reliability requirements	.....
	2.Point temperature test	.....
	3.Safety and EMI standard requirement	.....
VI .	<b>Installs Way</b>	.....
	1.Installation Diagram	.....
	2.Schematic diagram	.....
VII .	<b>Standard Packing</b>	.....
	1.Standard packing specifications	.....
VIII .	<b>Announcement</b>	.....
	1.Environmental requirement	.....
	2.Unpacking requires	.....
	3.Warning	.....

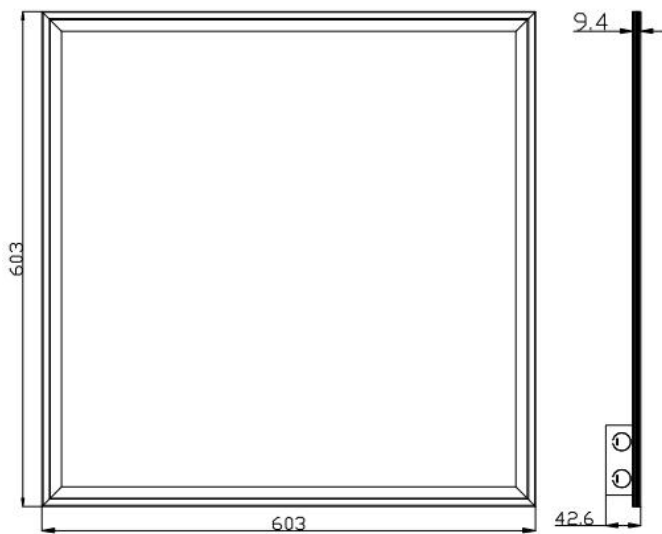
## I Product Overview And Characteristics

ETL,UL,DLC listed,5 years warranty

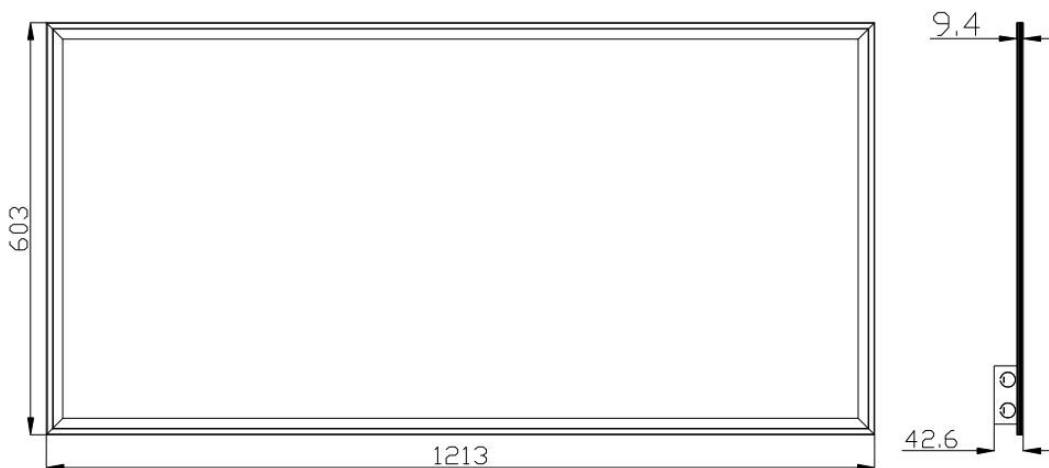
AC100-277V,PF>0.9,THD<20%

Produced in dust-free workshop, perfect light performance.

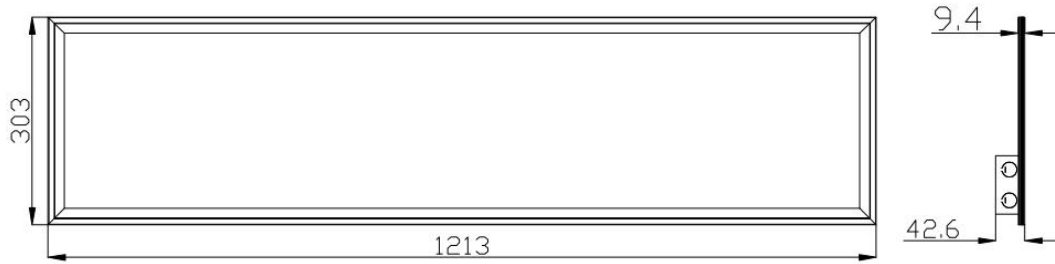
## ~ Product Appearance And Size



CPS-U4A20-P6、CPS-U4A30-P6、CPS-U4A36-P6



CPS-U5A35-P6、CPS-U5A40-P6、CPS-U5A50-P6



CPS-U3A36-P6

### III Electrical Specification

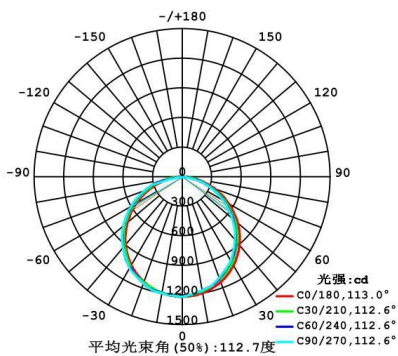
Electrical Parameters							
NO.	Product Model	Input voltage (V)	Input current(A)	Power Rating (W)	Power factor	Transfer efficiency	THD
1	CPS-U4A20-P6	100-277V	0.4	20	> 0.9	88%	< 20%
2	CPS-U4A30-P6	100-277V	0.4	30	> 0.9	88%	< 20%
3	CPS-U4A36-P6	100-277V	0.4	36	> 0.9	88%	< 20%
4	CPS-U3A36-P6	100-277V	0.4	36	> 0.9	88%	< 20%
5	CPS-U5A35-P6	100-277V	0.4	35	> 0.9	88%	< 20%
6	CPS-U5A40-P6	100-277V	0.55	40	> 0.9	88%	< 20%
7	CPS-U5A50-P6	100-277V	0.55	50	> 0.9	88%	< 20%
Special Instructions	Certificate	<input type="checkbox"/> unauthenticated <input type="checkbox"/> accord with <u>UL</u> Certified Designs <input type="checkbox"/> Passed <u>UL</u> 、 <u>DLC</u> Approve					
	Special function	<input type="checkbox"/> Only regular function					
		Dimming function <input type="checkbox"/> TRIAC <input checked="" type="checkbox"/> 0/1-10V <input type="checkbox"/> DALI <input type="checkbox"/> Other dimmer_____					
		<input type="checkbox"/> Other function _____					
Remark: The above data are for normal function parameters, when product make special functions, the parameters can have differences.							

## IV Photoelectric Parameter

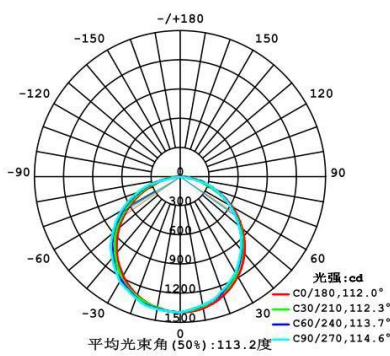
### 1. Optical parameters

N O.	Product Model	Led Chip	Color Temperature Range	CRI	luminous flux (lm)	Lighting Effect (lm/w)	Beam Angle
1	CPS-U4A20-P6	SMD2835	2700-6500K	> 80	2600	130	> 120
2	CPS-U4A30-P6	SMD2835	2700-6500K	> 80	3900	130	> 120
3	CPS-U4A36-P6	SMD2835	2700-6500K	> 80	4680	130	> 120
4	CPS-U3A36-P6	SMD2835	2700-6500K	> 80	4680	130	> 120
5	CPS-U5A35-P6	SMD2835	2700-6500K	> 80	4550	130	> 120
6	CPS-U5A40-P6	SMD2835	2700-6500K	> 80	5200	130	> 120
7	CPS-U5A50-P6	SMD2835	2700-6500K	> 80	6500	130	> 120

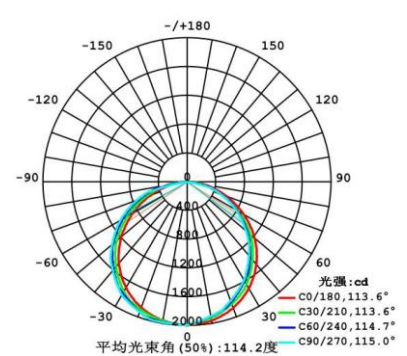
### 2. Photometric data



CPS-U4A20-P6、CPS-U4A30-P6  
 CPS-U4A36-P6



CPS-U3A36-P6



CPS-U5A35-P6、CPS-U5A40-P6  
 CPS-U5A50-P6

## V Product Technical Standards

### 1. Reliability requirements

NO.	Test Item	Test condition/method	Verification and indicators	Remark
1	The low temperature low pressure start	1.-20°C Power off more than 3 h 2.Use minimum voltage starting the product 3.1min on/5min off, More than 20 cycles 4.After low voltage normal light more than 1 hour	1.No obvious starting up lag 2.Working normally 3.Lumens depreciation less than 10%	Spot check
2	Switch machine test	1.Temperature 25±5°C, humidity is less than 60% 2.Rated voltage light 3.30S on/off, More than 15000 cycles	1.Working normally 2.Lumens depreciation less than 10%	Spot check
3	Hot and cold impact	1.Store in no electricity working state 2.-20°C/1H, 80°C/1H, Conversion interval 3min, 15 cycles	1.Working normally 2.Lumens depreciation less than 10% 3.Normal appearance structure	Spot check
4	Alternate hot and humid	1.25°C/95%RH, 11.5H 55°C/95%RH, 11.5H, Conversion interval 1H, 6 cycles 2.Every cycles 25°C light 1H	1.Working normally 2.Normal appearance structure	Spot check
5	Luminous flux maintenance factor	1.Rated voltage, the conventional environmental temperature and humidity 2.Record the initial luminous flux 3.Every 1000 h hours test a luminous flux, For more than 6000 h	1.Working normally 2.maintenance rate 3000H ≥95.8% 6000H ≥91.8%	Spot check

## 2. Point temperature test

Model	Position	Minimum voltage: AC <u>100</u> V		Rated voltage: AC <u>120</u> V		Maximum voltage: AC <u>277</u> V	
		<u>4</u> H	<u>8</u> H	<u>4</u> H	<u>8</u> H	<u>4</u> H	<u>8</u> H
Product Model (Maximum power)	LED welding spot	74	77	74.5	77	76	78.5
	Frame	55	57	55.9	58	55.8	59
	Transformer	88	90	88.3	91	90	91
	PCB Board	70	76	71	76.5	77	79
Product Model (Minimum power)	LED welding spot	72	76	72.2	75.3	74.5	76.3
	Frame	52	55.8	53.1	56.8	53.7	57.5
	Transformer	86	88.2	86.8	90.0	89.8	90.8
	PCB Board	68	74.8	68.5	74	75.6	77.9
Environment Settings	Environment temperature: <u>40</u> °C Environment humidity: <u>65</u> %						

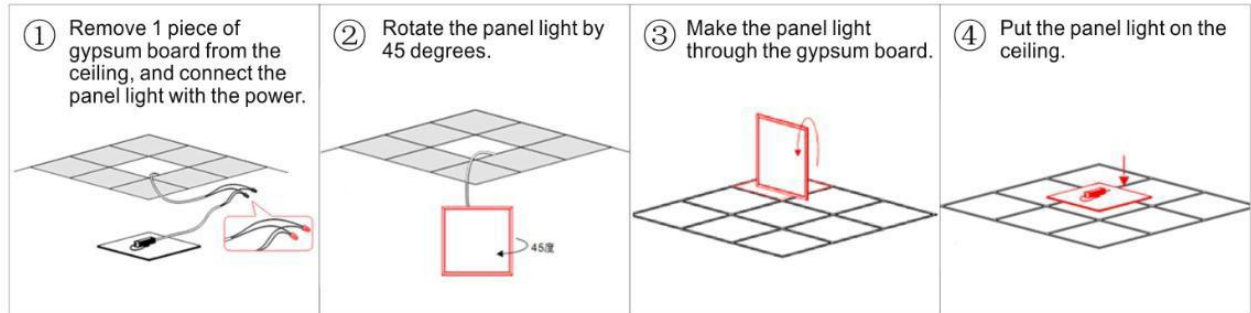
### 3. Safety and EMI standard requirement

NO.	Test Item	Test condition/method	Verification and indicators	Remark
1	Mark (Nameplate)	1.Use wet cloth mild scatch 15S 2.Use gasoline cloth mild scatch15S	1.Text clearly discernible 2.Labeling is not tilted, fall off	Type test
2	Static electricity	1.Contact (direct) discharge4KV, Four faces 2.Air discharge (indirectly) 8KV	1.Performance decision level B 2.After finish working normally	Type test
3	Insulation resistance	1.48H humid 91-95% after dealing immediately testing 2.500VDC/1min/4MΩ	1.No breakdown alarm	Type test
4	Electric strength	1.48H humid 91-95% after dealing immediately testing 2.3000VAC/1min/5mA	1.No breakdown alarm	Type test
5	Conduction	1.In standard test room have no interference 2.Reference EN55015 standard	1.Test values shall not exceed the limit	Type test
6	Radiation	1.In standard test room have no interference 2.Reference EN55015CDN standard	1.Test values shall not exceed the limit	Type test
7	Surge	1. $\leq 25W$ L-N $\pm 0.5KV$ LN-PE $\pm 1KV$ 2. $> 25W$ L-N $\pm 1KV$ LN-PE $\pm 2KV$	1.Performance decision level B 2.After finish working normally	Type test

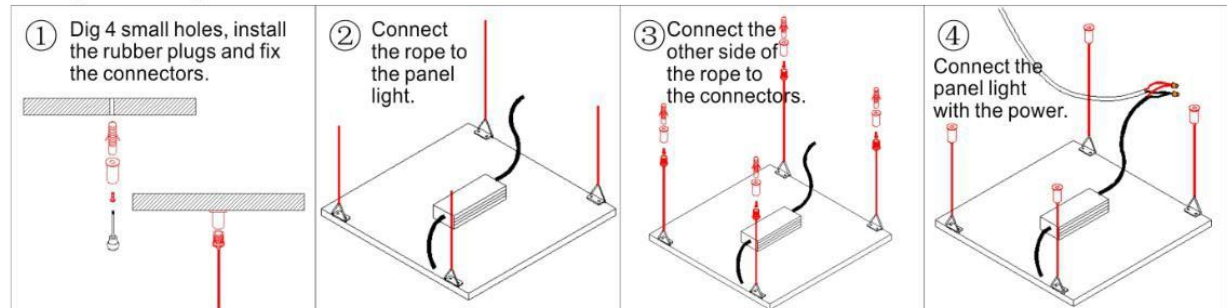


## VI Installation Way

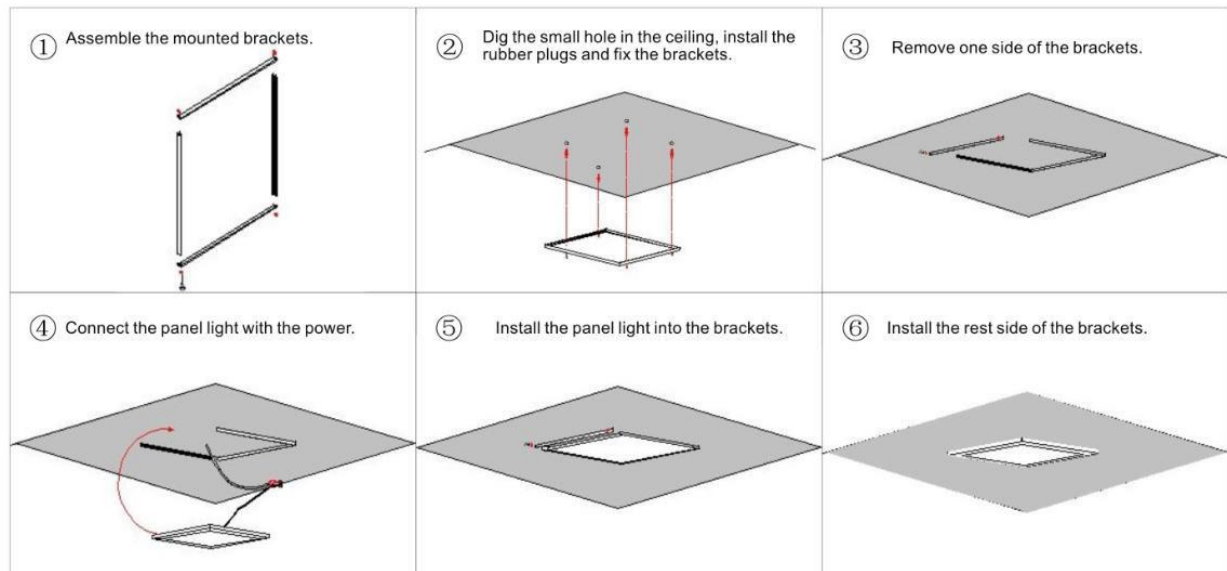
### Built-in Installation



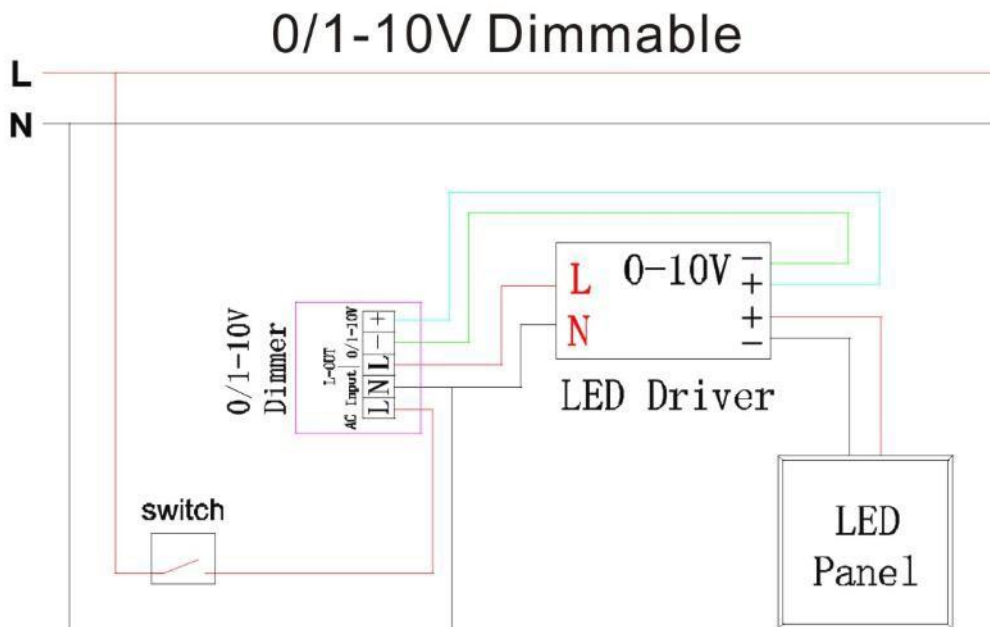
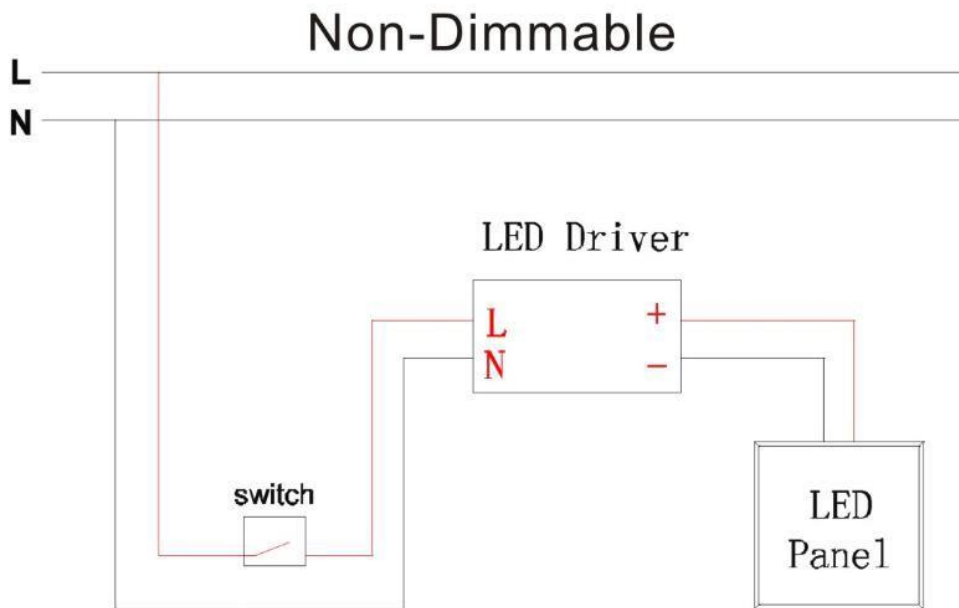
### Suspending Installation

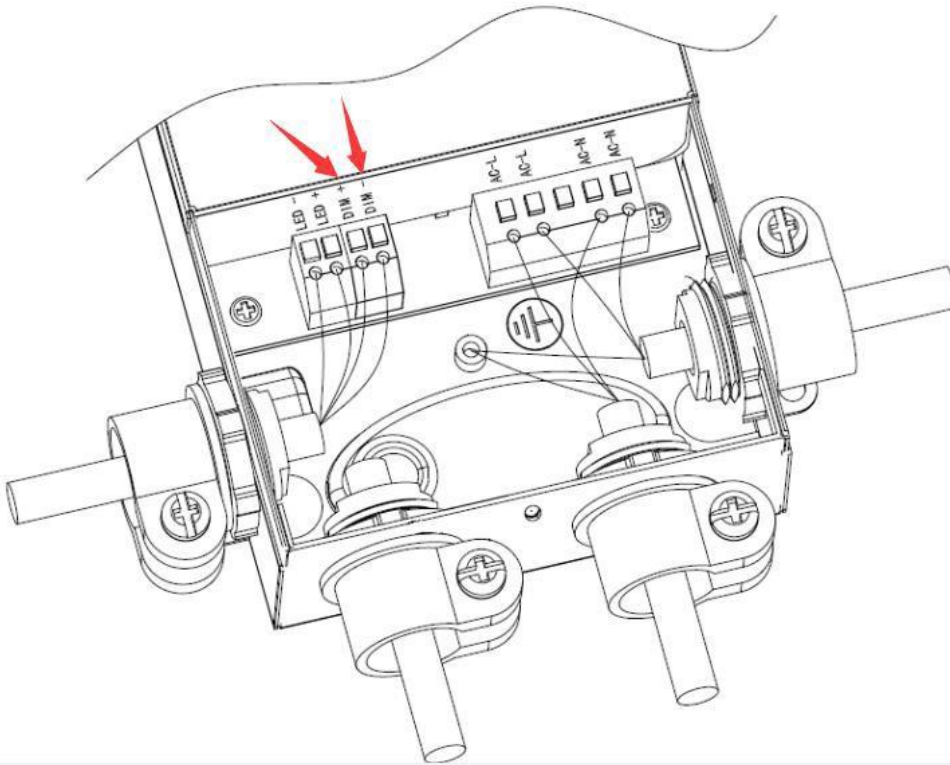


### Surface-Mounted Installation

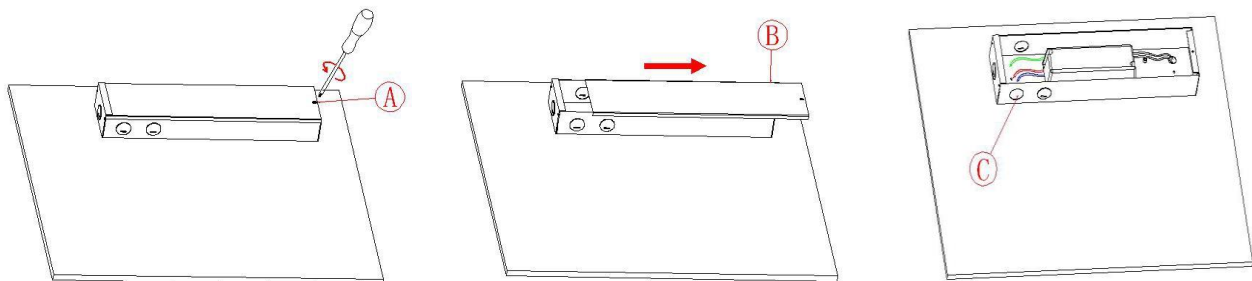


## 2.Wiring diagram



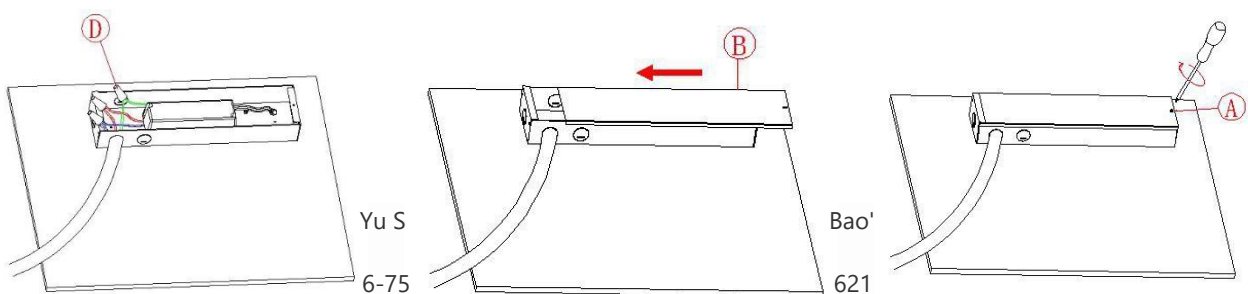


1. Loosen the screws in the top cover of the box (A)
2. Push the top cover to the right (B)
3. Open the hole for power supply cable in the box (C)



4. Insert the AC cable conduit to the hole of the junction box ;  
 Connect L to Live cable; Connect N to Neutral cable; Connect E to earth cable; Connect + cable to the positive cable in the dimmer; Connect - cable to the negative cable in the dimmer; Fasten the lines and wires by screw cap (D)

5. Push the top cover to the left (B) and fasten the screws (A)



## VII Standard packing

NO.	Product Size	Inner Carton/PCS	Outer Carton/PCS	N. Weight (KG)/PCS	G. Weight (KG)/CTN
1	2X2FT	628*85*628MM/2	645*190*650MM/4	4.1	16.4
2	1X4FT	1238*85*328MM/2	1255*190*350 MM /4	4.3	17.2
3	2X4FT	1238*85*628MM/2	1255*190*650 MM /4	7	28
NO.	Product Size	Carton Dimension	1x20GP	1x40GP	1x40HQ
1	2X2FT	64.5x19x65cm/ 4PCS	1250pcs	2600pcs	3456pcs
2	1X4FT	125.5x19x35cm/4PCS	1200pcs	2400pcs	3240pcs
3	2X4FT	125.5x19x65cm/4PCS	680pcs	1350pcs	1750pcs

## VIII Notes

### 1.Environmental requirement

Usage Temperature	-20-45°C	Usage Humidity	10% ~ 90% R.H.
Storage Temperature	-30°C ~ 65°C	Storage Humidity	0% ~ 95% R.H.

### 2.Unpacking requires

- a.Open package, Carefully check the product, please carefully take and put;
- b,If there is any damage on products, please keep good packaging and timely and contact with my company;
- c,Please don't try to use the damaged products.

### 3.Warning

- 1:If the lamp fails to work properly, please check whether the circuit connection is good.
- 2:Please don't scrub luminaire with wet towel.
- 3:Please don't install in damp, water leakage, unstable place.
- 4.Please power off before install or remove.
- 5.Please follow the normal installation.
- 6.If there is any damage, please get professional maintenance personnel (or after-sales service points).
- 7.Do not disassemble the product secretly.