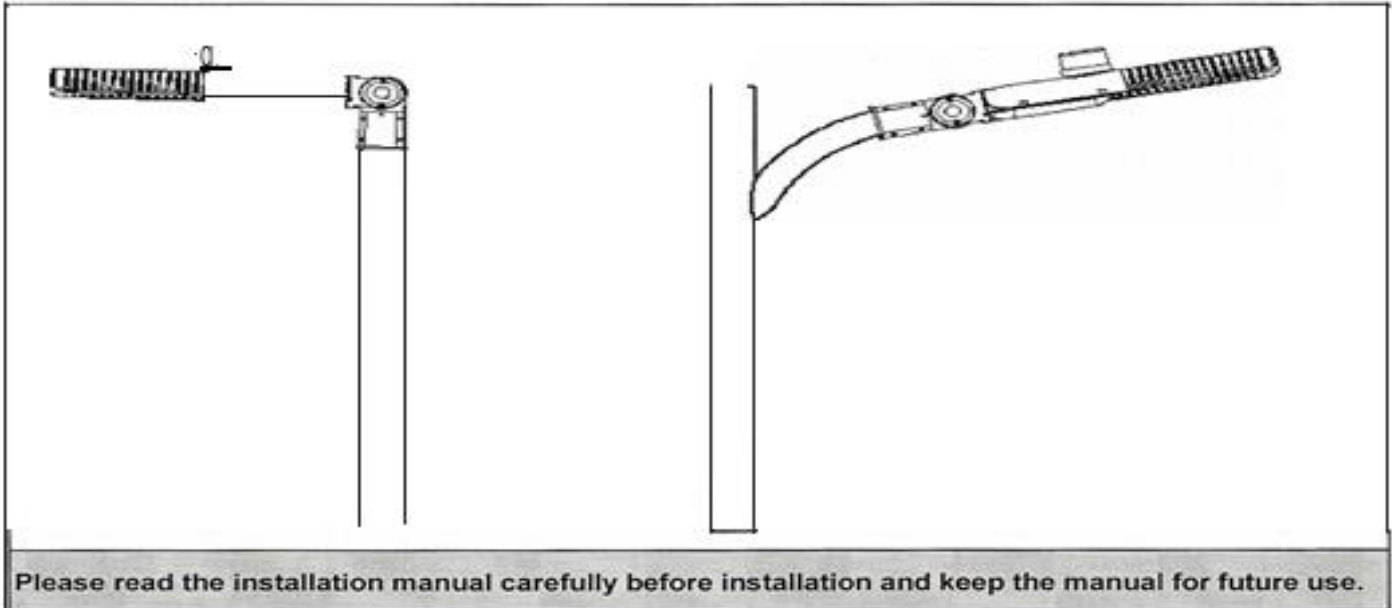




LED Lites USA

3395 W. Cheyenne Ave Ste. 111
N. Las Vegas, NV 89032
www.ledlitesusa.com

LED Lites USA Installation Manual for High-Efficiency Area Light



Warning

1. Electrician must have related certificates, knowledge and working experience. The work must be assigned to each electrician based on their position and responsibility.
2. The lens of parking lot light modules are PC material, they may be scratched by any careless handling. The parking lot light must be carefully protected during installation. Note that when the face of the luminaire is downward, it needs to be protected with soft cloth or other protecting materials.
3. Installation must be proceeded when the electricity is shut off; no action should be taken when there is electricity connected.
4. Construction must proceed according to related regulations, including the tools and equipments used. For example: working voltage range, Warning sign, flashing lamp, helmet, and working clothes etc.
5. Make sure the weather is suitable for high power electricity work when installing



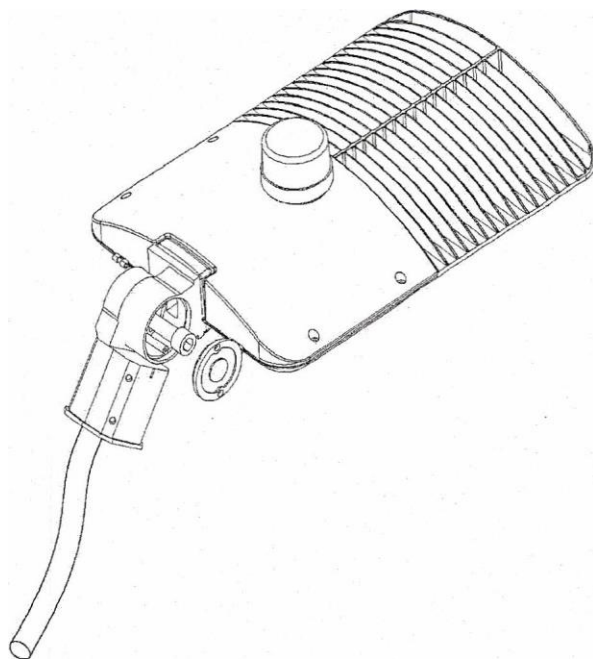
Statement

1. Installation of the area light must proceed with working truck with lifting platform, warning sign and flash lamp etc.
2. Installation and maintenance of Parking Lot Light must proceed when the electricity is off.
3. Maintenance must be proceeded with professional staff.

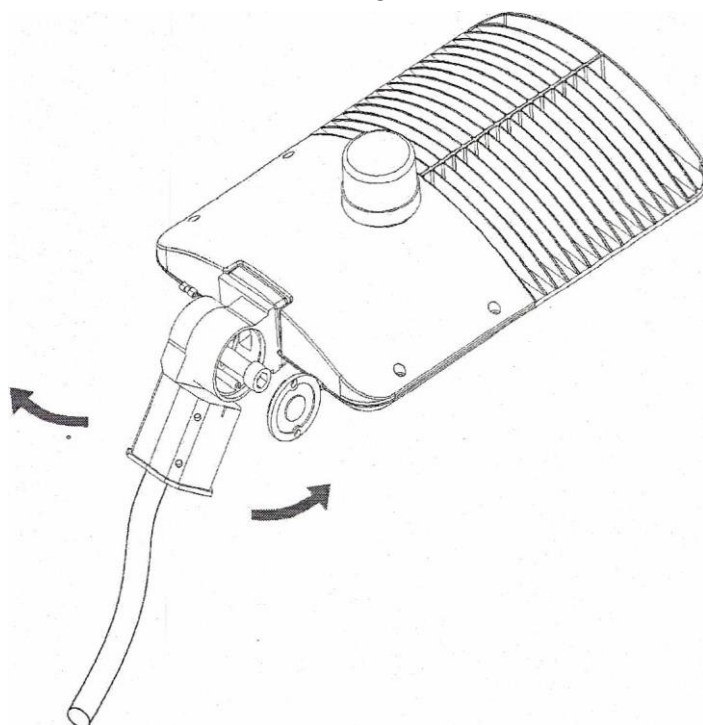
Preparation for installation of LED parking lot light

Step 1: Open the package, remove the packing materials and take out the LED Lamp

Step 2: Use an hexagonal screw driver to loosen the screws fixing the rotatable bracket



Step 3: Adjust the rotatable bracket to desired degree

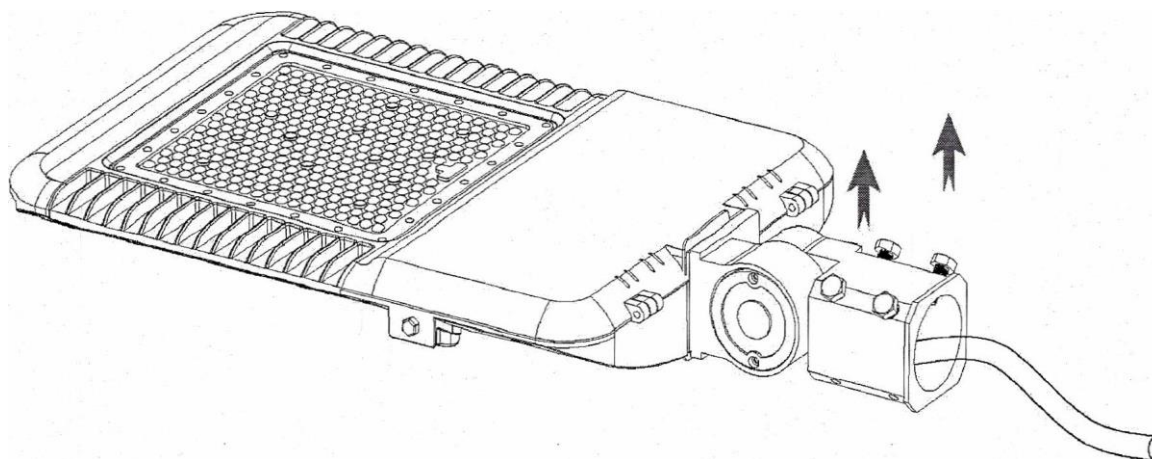


Step4

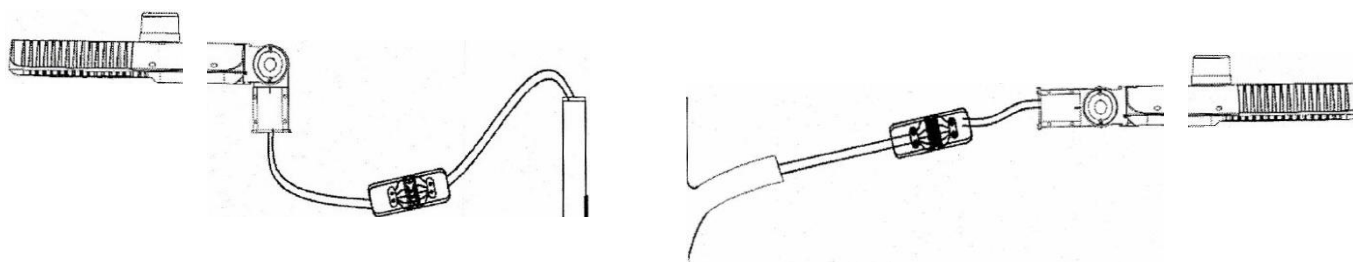
Re-tighten the rotatable bracket

Installation of LED Parking Lot Light

Step 1: Loosen the 4 screws on the rotatable bracket of the parking lot light before installation of the light



Step 2: Wiring: connect L,N,GND wires on the lamp to the L,N,GND cables on the lamp pole accordingly.
(Remark: US standard Black: L, White: N, Green: GND; Eur Standard: Brown: L, Blue: N, Yellow Green: GND)



Step 3: Fix the LED Area Light to the lamp pole and adjust the lamp to the degree desired. Tighten the 4 screws on the rotatable bracket of the light.

